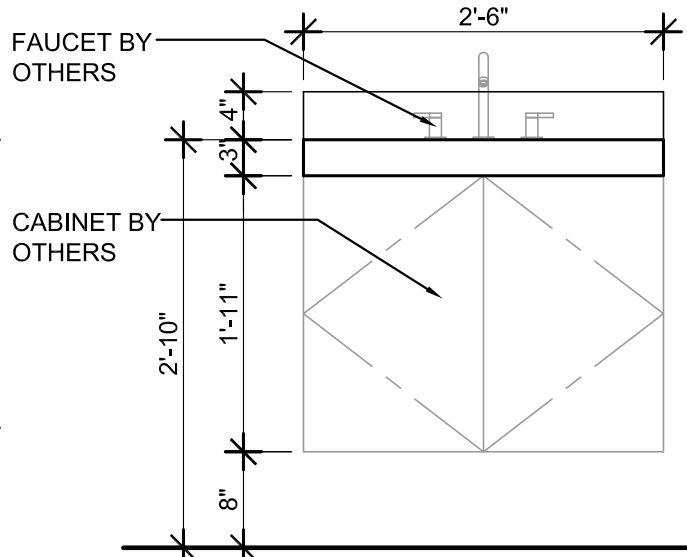
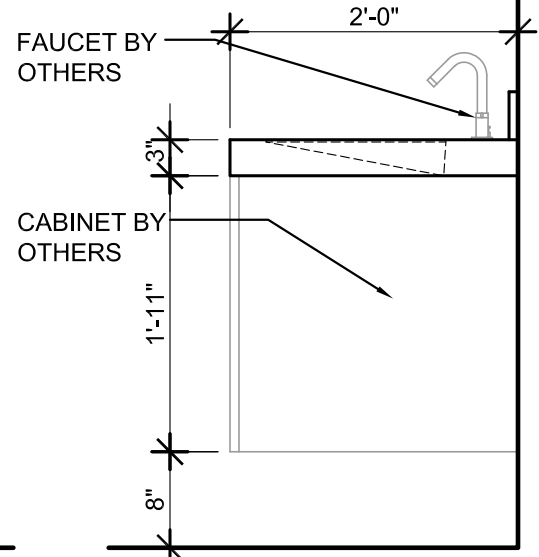


PLAN VIEW



FRONT ELEVATION



SIDE ELEVATION

mkPURE